

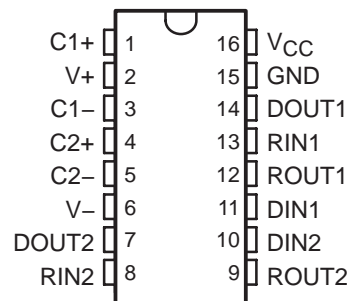
# SN65C3232, SN75C3232

## 3-V TO 5.5-V MULTICHANNEL RS-232 COMPATIBLE LINE DRIVER/RECEIVER

SLLS540B – JULY 2002 – REVISED NOVEMBER 2004

- Operate With 3-V to 5.5-V  $V_{CC}$  Supply
- Operate Up To 1 Mbit/s
- Low Supply Current . . . 300  $\mu$ A Typ
- External Capacitors . . .  $4 \times 0.1 \mu$ F
- Accept 5-V Logic Input With 3.3-V Supply
- Latch-Up Performance Exceeds 100 mA Per JESD 78, Class II
- RS-232 Bus-Pin ESD Protection Exceeds  $\pm 15$  kV Using Human-Body Model (HBM)
- Applications
  - Battery-Powered Systems, PDAs, Notebooks, Laptops, Palmtop PCs, and Hand-Held Equipment

D, DB, DW, OR PW PACKAGE  
(TOP VIEW)



### description/ordering information

The SN65C3232 and SN75C3232 consist of two line drivers, two line receivers, and a dual charge-pump circuit with  $\pm 15$ -kV ESD protection pin to pin (serial-port connection pins, including GND). These devices provide the electrical interface between an asynchronous communication controller and the serial-port connector. The charge pump and four small external capacitors allow operation from a single 3-V to 5.5-V supply. The devices operate at data signaling rates up to 1 Mbit/s and a driver output slew rate of 24 V/ $\mu$ s to 150 V/ $\mu$ s.

### ORDERING INFORMATION

| $T_A$         | PACKAGE†   |              | ORDERABLE PART NUMBER | TOP-SIDE MARKING |
|---------------|------------|--------------|-----------------------|------------------|
| –40°C to 85°C | SOIC – D   | Tube of 40   | SN65C3232D            | 65C3232          |
|               |            | Reel of 2500 | SN65C3232DR           |                  |
|               | SOIC – DW  | Tube of 40   | SN65C3232DW           | 65C3232          |
|               |            | Reel of 2000 | SN65C3232DWR          |                  |
|               | SSOP – DB  | Reel of 2000 | SN65C3232DBR          | 65C3232          |
|               | TSSOP – PW | Tube of 90   | SN65C3232PW           | CB3232           |
| Reel of 2000  |            | SN65C3232PWR |                       |                  |
| 0°C to 70°C   | SOIC – D   | Tube of 40   | SN75C3232D            | 75C3232          |
|               |            | Reel of 2500 | SN75C3232DR           |                  |
|               | SOIC – DW  | Tube of 40   | SN75C3232DW           | 75C3232          |
|               |            | Reel of 2000 | SN75C3232DWR          |                  |
|               | SSOP – DB  | Reel of 2000 | SN75C3232DBR          | 75C3232          |
|               | TSSOP – PW | Tube of 90   | SN75C3232PW           | CA3232           |
| Reel of 2000  |            | SN75C3232PWR |                       |                  |

† Package drawings, standard packing quantities, thermal data, symbolization, and PCB design guidelines are available at [www.ti.com/sc/package](http://www.ti.com/sc/package).



Please be aware that an important notice concerning availability, standard warranty, and use in critical applications of Texas Instruments semiconductor products and disclaimers thereto appears at the end of this data sheet.

PRODUCTION DATA information is current as of publication date. Products conform to specifications per the terms of Texas Instruments standard warranty. Production processing does not necessarily include testing of all parameters.

**TEXAS  
INSTRUMENTS**

POST OFFICE BOX 655303 • DALLAS, TEXAS 75265

Copyright © 2004, Texas Instruments Incorporated

# SN65C3232, SN75C3232

## 3-V TO 5.5-V MULTICHANNEL RS-232 COMPATIBLE LINE DRIVER/RECEIVER

SLLS540B – JULY 2002 – REVISED NOVEMBER 2004

### Function Tables

#### EACH DRIVER

| INPUT<br>DIN | OUTPUT<br>DOUT |
|--------------|----------------|
| L            | H              |
| H            | L              |

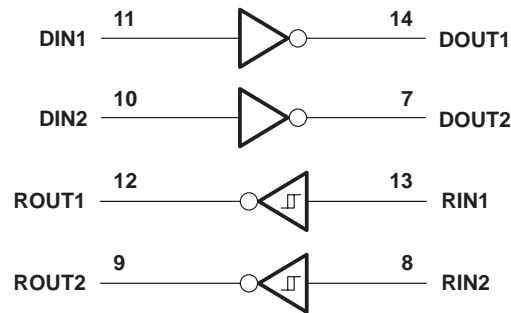
H = high level, L = low level

#### EACH RECEIVER

| INPUT<br>RIN | OUTPUT<br>ROUT |
|--------------|----------------|
| L            | H              |
| H            | L              |
| Open         | H              |

H = high level, L = low level, Open = input disconnected or connected driver off

### logic diagram (positive logic)



# SN65C3232, SN75C3232

## 3-V TO 5.5-V MULTICHANNEL RS-232 COMPATIBLE LINE DRIVER/RECEIVER

SLLS540B – JULY 2002 – REVISED NOVEMBER 2004

### absolute maximum ratings over operating free-air temperature range (unless otherwise noted)†

|   |                            |
|---|----------------------------|
| Supply voltage range, $V_{CC}$ (see Note 1)                             | –0.3 V to 6 V              |
| Positive output supply voltage range, $V+$ (see Note 1)                 | –0.3 V to 7 V              |
| Negative output supply voltage range, $V-$ (see Note 1)                 | 0.3 V to –7 V              |
| Supply voltage difference, $V+ - V-$ (see Note 1)                       | 13 V                       |
| Input voltage range, $V_I$ : Drivers                                    | –0.3 V to 6 V              |
| Receivers   | –25 V to 25 V              |
| Output voltage range, $V_O$ : Drivers                                   | –13.2 V to 13.2 V          |
| Receivers   | –0.3 V to $V_{CC} + 0.3$ V |
| Package thermal impedance, $\theta_{JA}$ (see Notes 2 and 3): D package | 82°C/W                     |
| DB package  | 46°C/W                     |
| DW package  | 57°C/W                     |
| PW package  | 108°C/W                    |
| Operating virtual junction temperature, $T_J$                           | 150°C                      |
| Storage temperature range, $T_{stg}$                                    | –65°C to 150°C             |

† Stresses beyond those listed under “absolute maximum ratings” may cause permanent damage to the device. These are stress ratings only, and functional operation of the device at these or any other conditions beyond those indicated under “recommended operating conditions” is not implied. Exposure to absolute-maximum-rated conditions for extended periods may affect device reliability.

- NOTES:
1. All voltages are with respect to network GND.
  2. Maximum power dissipation is a function of  $T_J(\max)$ ,  $\theta_{JA}$ , and  $T_A$ . The maximum allowable power dissipation at any allowable ambient temperature is  $P_D = (T_J(\max) - T_A)/\theta_{JA}$ . Operating at the absolute maximum  $T_J$  of 150°C can affect reliability.
  3. The package thermal impedance is calculated in accordance with JESD 51-7.

### recommended operating conditions (see Note 4 and Figure 4)

|                |                                 |                  | MIN              | NOM | MAX | UNIT |
|----------------|---------------------------------|------------------|------------------|-----|-----|------|
| Supply voltage |                                 | $V_{CC} = 3.3$ V | 3                | 3.3 | 3.6 | V    |
|                |                                 | $V_{CC} = 5$ V   | 4.5              | 5   | 5.5 |      |
| $V_{IH}$       | Driver high-level input voltage | DIN              | $V_{CC} = 3.3$ V | 2   |     | V    |
|                |                                 |                  | $V_{CC} = 5$ V   | 2.4 |     |      |
| $V_{IL}$       | Driver low-level input voltage  | DIN              |                  |     | 0.8 | V    |
| $V_I$          | Driver input voltage            | DIN              | 0                |     | 5.5 | V    |
|                | Receiver input voltage          |                  | –25              |     | 25  |      |
| $T_A$          | Operating free-air temperature  | SN65C3232        | –40              |     | 85  | °C   |
|                |                                 | SN75C3232        | 0                |     | 70  |      |

NOTE 4: Test conditions are C1–C4 = 0.1  $\mu$ F at  $V_{CC} = 3.3$  V  $\pm$  0.3 V; C1 = 0.047  $\mu$ F, C2–C4 = 0.33  $\mu$ F at  $V_{CC} = 5$  V  $\pm$  0.5 V.

### electrical characteristics over recommended ranges of supply voltage and operating free-air temperature (unless otherwise noted) (see Note 4 and Figure 4)

| PARAMETER |                | TEST CONDITIONS                  | MIN | TYP‡ | MAX | UNIT |
|-----------|----------------|----------------------------------|-----|------|-----|------|
| $I_{CC}$  | Supply current | No load, $V_{CC} = 3.3$ V or 5 V |     | 0.3  | 1   | mA   |

‡ All typical values are at  $V_{CC} = 3.3$  V or  $V_{CC} = 5$  V, and  $T_A = 25^\circ$ C.

NOTE 4: Test conditions are C1–C4 = 0.1  $\mu$ F at  $V_{CC} = 3.3$  V  $\pm$  0.3 V; C1 = 0.047  $\mu$ F, C2–C4 = 0.33  $\mu$ F at  $V_{CC} = 5$  V  $\pm$  0.5 V.



# SN65C3232, SN75C3232

## 3-V TO 5.5-V MULTICHANNEL RS-232 COMPATIBLE LINE DRIVER/RECEIVER

SLLS540B – JULY 2002 – REVISED NOVEMBER 2004

### DRIVER SECTION

**electrical characteristics over recommended ranges of supply voltage and operating free-air temperature (unless otherwise noted) (see Note 4 and Figure 4)**

| PARAMETER         |                              | TEST CONDITIONS  | MIN | TYP†  | MAX | UNIT |
|-------------------|------------------------------|--|-----|-------|-----|------|
| V <sub>OH</sub>   | High-level output voltage    | DOUT at R <sub>L</sub> = 3 kΩ to GND, DIN = GND                                    | 5   | 5.4   |     | V    |
| V <sub>OL</sub>   | Low-level output voltage     | DOUT at R <sub>L</sub> = 3 kΩ to GND, DIN = V <sub>CC</sub>                        | -5  | -5.4  |     | V    |
| I <sub>IH</sub>   | High-level input current     | V <sub>I</sub> = V <sub>CC</sub>   |     | ±0.01 | ±1  | μA   |
| I <sub>IL</sub>   | Low-level input current      | V <sub>I</sub> at GND  |     | ±0.01 | ±1  | μA   |
| I <sub>OS</sub> ‡ | Short-circuit output current | V <sub>CC</sub> = 3.6 V, V <sub>O</sub> = 0 V                                      |     | ±35   | ±60 | mA   |
|                   |                              | V <sub>CC</sub> = 5.5 V, V <sub>O</sub> = 0 V                                      |     | ±35   | ±90 |      |
| r <sub>o</sub>    | Output resistance            | V <sub>CC</sub> , V <sub>+</sub> , and V <sub>-</sub> = 0 V, V <sub>O</sub> = ±2 V | 300 | 10M   |     | Ω    |

† All typical values are at V<sub>CC</sub> = 3.3 V or V<sub>CC</sub> = 5 V, and T<sub>A</sub> = 25°C.

‡ Short-circuit durations should be controlled to prevent exceeding the device absolute power dissipation ratings, and not more than one output should be shorted at a time.

NOTE 4: Test conditions are C1–C4 = 0.1 μF at V<sub>CC</sub> = 3.3 V ± 0.3 V; C1 = 0.047 μF, C2–C4 = 0.33 μF at V<sub>CC</sub> = 5 V ± 0.5 V.

**switching characteristics over recommended ranges of supply voltage and operating free-air temperature (unless otherwise noted) (see Note 4 and Figure 4)**

| PARAMETER                           |   | TEST CONDITIONS   | MIN | TYP† | MAX | UNIT   |
|-------------------------------------|---|---|-----|------|-----|--------|
| Maximum data rate<br>(see Figure 1) | R <sub>L</sub> = 3 kΩ,<br>One DOUT switching      | C <sub>L</sub> = 1000 pF  |     | 250  |     | kbit/s |
|                                     |   | C <sub>L</sub> = 250 pF, V <sub>CC</sub> = 3 V to 4.5 V   |     | 1000 |     |        |
|                                     |   | C <sub>L</sub> = 1000 pF, V <sub>CC</sub> = 4.5 V to 5.5 V                                      |     | 1000 |     |        |
| t <sub>sk(p)</sub>                  | Pulse skew§                                       | C <sub>L</sub> = 150 pF to 2500 pF<br>R <sub>L</sub> = 3 kΩ to 7 kΩ,<br>See Figure 2            |     | 300  |     | ns     |
| SR(tr)                              | Slew rate,<br>transition region<br>(see Figure 1) | R <sub>L</sub> = 3 kΩ to 7 kΩ,<br>V <sub>CC</sub> = 3.3 V<br>C <sub>L</sub> = 150 pF to 1000 pF | 18  |      | 150 | V/μs   |

† All typical values are at V<sub>CC</sub> = 3.3 V or V<sub>CC</sub> = 5 V, and T<sub>A</sub> = 25°C.

§ Pulse skew is defined as |t<sub>pLH</sub> - t<sub>pHL</sub>| of each channel of the same device.

NOTE 4: Test conditions are C1–C4 = 0.1 μF at V<sub>CC</sub> = 3.3 V ± 0.3 V; C1 = 0.047 μF, C2–C4 = 0.33 μF at V<sub>CC</sub> = 5 V ± 0.5 V.



### RECEIVER SECTION

**electrical characteristics over recommended ranges of supply voltage and operating free-air temperature (unless otherwise noted) (see Note 4 and Figure 4)**

| PARAMETER  | TEST CONDITIONS                | MIN                     | TYP†                    | MAX | UNIT |
|--|--------------------------------|-------------------------|-------------------------|-----|------|
| V <sub>OH</sub> High-level output voltage                                | I <sub>OH</sub> = -1 mA        | V <sub>CC</sub> - 0.6 V | V <sub>CC</sub> - 0.1 V |     | V    |
| V <sub>OL</sub> Low-level output voltage                                 | I <sub>OL</sub> = 1.6 mA       |                         |                         | 0.4 | V    |
| V <sub>IT+</sub> Positive-going input threshold voltage                  | V <sub>CC</sub> = 3.3 V        |                         | 1.5                     | 2.4 | V    |
|  | V <sub>CC</sub> = 5 V          |                         | 1.8                     | 2.4 |      |
| V <sub>IT-</sub> Negative-going input threshold voltage                  | V <sub>CC</sub> = 3.3 V        | 0.6                     | 1.2                     |     | V    |
|  | V <sub>CC</sub> = 5 V          | 0.8                     | 1.5                     |     |      |
| V <sub>hys</sub> Input hysteresis (V <sub>IT+</sub> - V <sub>IT-</sub> ) |                                |                         | 0.3                     |     | V    |
| r <sub>i</sub> Input resistance  | V <sub>I</sub> = ±3 V to ±25 V | 3                       | 5                       | 7   | kΩ   |

† All typical values are at V<sub>CC</sub> = 3.3 V or V<sub>CC</sub> = 5 V, and T<sub>A</sub> = 25°C.

NOTE 4: Test conditions are C1-C4 = 0.1 μF at V<sub>CC</sub> = 3.3 V ± 0.3 V; C1 = 0.047 μF, C2-C4 = 0.33 μF at V<sub>CC</sub> = 5 V ± 0.5 V.

**switching characteristics over recommended ranges of supply voltage and operating free-air temperature (unless otherwise noted) (see Note 4 and Figure 3)**

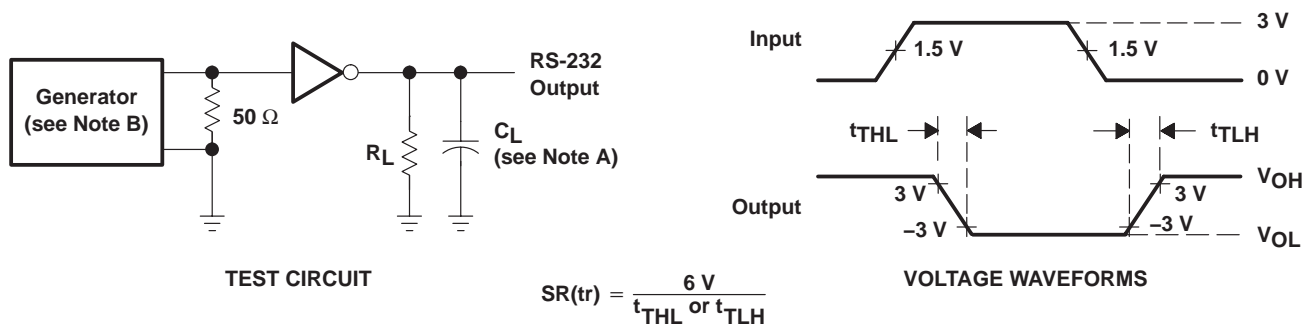
| PARAMETER  | TEST CONDITIONS         | MIN | TYP† | MAX | UNIT |
|--|-------------------------|-----|------|-----|------|
| t <sub>PLH</sub> Propagation delay time, low- to high-level output | C <sub>L</sub> = 150 pF |     | 300  |     | ns   |
| t <sub>PHL</sub> Propagation delay time, high- to low-level output |                         |     | 300  |     | ns   |
| t <sub>sk(p)</sub> Pulse skew‡                                     |                         |     |      | 300 |      |

† All typical values are at V<sub>CC</sub> = 3.3 V or V<sub>CC</sub> = 5 V, and T<sub>A</sub> = 25°C.

‡ Pulse skew is defined as |t<sub>PLH</sub> - t<sub>PHL</sub>| of each channel of the same device.

NOTE 4: Test conditions are C1-C4 = 0.1 μF at V<sub>CC</sub> = 3.3 V ± 0.3 V; C1 = 0.047 μF, C2-C4 = 0.33 μF at V<sub>CC</sub> = 5 V ± 0.5 V.

### PARAMETER MEASUREMENT INFORMATION



NOTES: A. C<sub>L</sub> includes probe and jig capacitance.

B. The pulse generator has the following characteristics: PRR = 250 kbit/s, Z<sub>O</sub> = 50 Ω, 50% duty cycle, t<sub>r</sub> ≤ 10 ns, t<sub>f</sub> ≤ 10 ns.

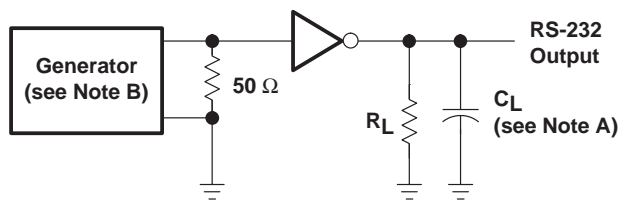
**Figure 1. Driver Slew Rate**

# SN65C3232, SN75C3232

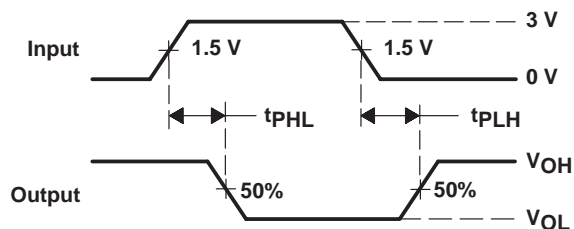
## 3-V TO 5.5-V MULTICHANNEL RS-232 COMPATIBLE LINE DRIVER/RECEIVER

SLLS540B – JULY 2002 – REVISED NOVEMBER 2004

### PARAMETER MEASUREMENT INFORMATION



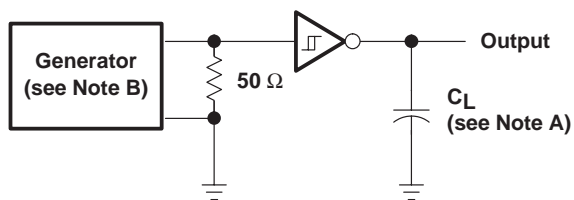
TEST CIRCUIT



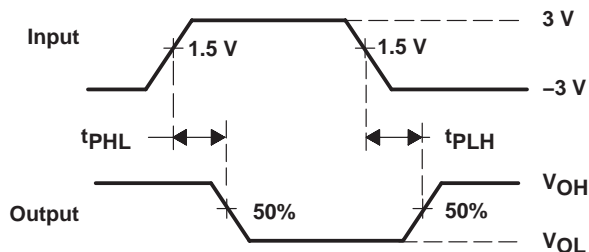
VOLTAGE WAVEFORMS

- NOTES: A.  $C_L$  includes probe and jig capacitance.  
 B. The pulse generator has the following characteristics: PRR = 250 kbit/s,  $Z_O = 50 \Omega$ , 50% duty cycle,  $t_r \leq 10$  ns,  $t_f \leq 10$  ns.

Figure 2. Driver Pulse Skew



TEST CIRCUIT



VOLTAGE WAVEFORMS

- NOTES: A.  $C_L$  includes probe and jig capacitance.  
 B. The pulse generator has the following characteristics:  $Z_O = 50 \Omega$ , 50% duty cycle,  $t_r \leq 10$  ns,  $t_f \leq 10$  ns.

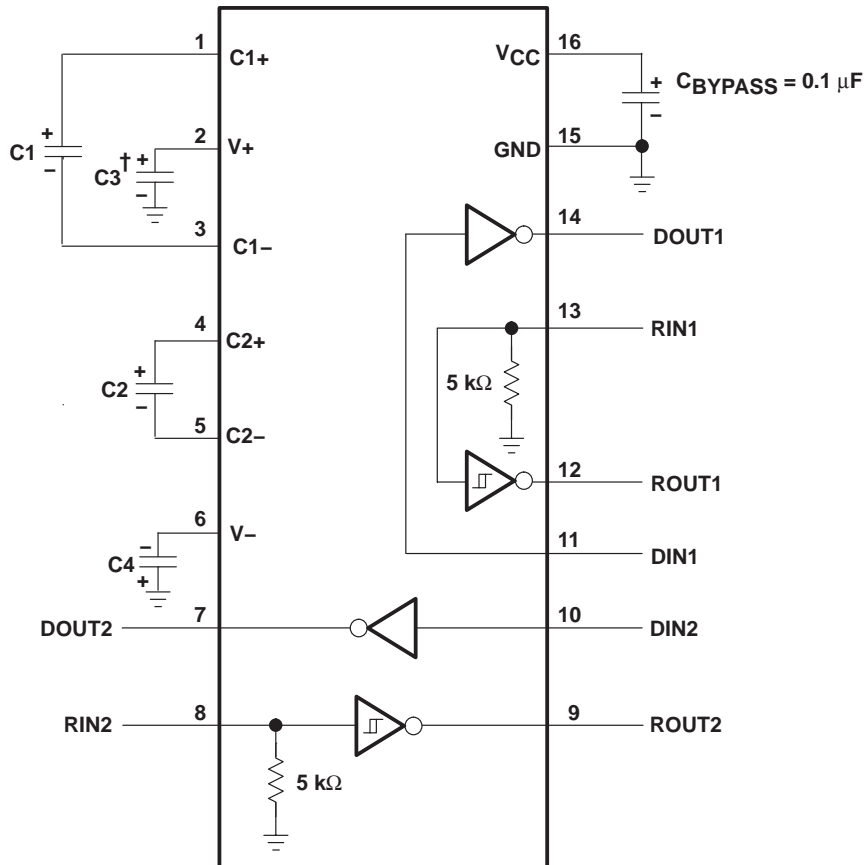
Figure 3. Receiver Propagation Delay Times

# SN65C3232, SN75C3232

## 3-V TO 5.5-V MULTICHANNEL RS-232 COMPATIBLE LINE DRIVER/RECEIVER

SLLS540B – JULY 2002 – REVISED NOVEMBER 2004

### APPLICATION INFORMATION



† C3 can be connected to V<sub>CC</sub> or GND.

**V<sub>CC</sub> vs CAPACITOR VALUES**

| V <sub>CC</sub> | C1       | C2, C3, C4 |
|-----------------|----------|------------|
| 3.3 V ± 0.3 V   | 0.1 μF   | 0.1 μF     |
| 5 V ± 0.5 V     | 0.047 μF | 0.33 μF    |
| 3 V to 5.5 V    | 0.1 μF   | 0.47 μF    |

**Figure 4. Typical Operating Circuit and Capacitor Values**

**PACKAGING INFORMATION**

| Orderable Device | Status <sup>(1)</sup> | Package Type | Package Drawing | Pins | Package Qty | Eco Plan <sup>(2)</sup> | Lead/Ball Finish | MSL Peak Temp <sup>(3)</sup> |
|------------------|-----------------------|--------------|-----------------|------|-------------|-------------------------|------------------|------------------------------|
| SN65C3232D       | ACTIVE                | SOIC         | D               | 16   | 40          | Green (RoHS & no Sb/Br) | CU NIPDAU        | Level-1-260C-UNLIM           |
| SN65C3232DBR     | ACTIVE                | SSOP         | DB              | 16   | 2000        | Green (RoHS & no Sb/Br) | CU NIPDAU        | Level-1-260C-UNLIM           |
| SN65C3232DBRE4   | ACTIVE                | SSOP         | DB              | 16   | 2000        | Green (RoHS & no Sb/Br) | CU NIPDAU        | Level-1-260C-UNLIM           |
| SN65C3232DBRG4   | ACTIVE                | SSOP         | DB              | 16   | 2000        | Green (RoHS & no Sb/Br) | CU NIPDAU        | Level-1-260C-UNLIM           |
| SN65C3232DE4     | ACTIVE                | SOIC         | D               | 16   | 40          | Green (RoHS & no Sb/Br) | CU NIPDAU        | Level-1-260C-UNLIM           |
| SN65C3232DG4     | ACTIVE                | SOIC         | D               | 16   | 40          | Green (RoHS & no Sb/Br) | CU NIPDAU        | Level-1-260C-UNLIM           |
| SN65C3232DR      | ACTIVE                | SOIC         | D               | 16   | 2500        | Green (RoHS & no Sb/Br) | CU NIPDAU        | Level-1-260C-UNLIM           |
| SN65C3232DRE4    | ACTIVE                | SOIC         | D               | 16   | 2500        | Green (RoHS & no Sb/Br) | CU NIPDAU        | Level-1-260C-UNLIM           |
| SN65C3232DRG4    | ACTIVE                | SOIC         | D               | 16   | 2500        | Green (RoHS & no Sb/Br) | CU NIPDAU        | Level-1-260C-UNLIM           |
| SN65C3232DW      | ACTIVE                | SOIC         | DW              | 16   | 40          | Green (RoHS & no Sb/Br) | CU NIPDAU        | Level-1-260C-UNLIM           |
| SN65C3232DWE4    | ACTIVE                | SOIC         | DW              | 16   | 40          | Green (RoHS & no Sb/Br) | CU NIPDAU        | Level-1-260C-UNLIM           |
| SN65C3232DWG4    | ACTIVE                | SOIC         | DW              | 16   | 40          | Green (RoHS & no Sb/Br) | CU NIPDAU        | Level-1-260C-UNLIM           |
| SN65C3232DWR     | ACTIVE                | SOIC         | DW              | 16   | 2000        | Green (RoHS & no Sb/Br) | CU NIPDAU        | Level-1-260C-UNLIM           |
| SN65C3232DWRE4   | ACTIVE                | SOIC         | DW              | 16   | 2000        | Green (RoHS & no Sb/Br) | CU NIPDAU        | Level-1-260C-UNLIM           |
| SN65C3232DWRG4   | ACTIVE                | SOIC         | DW              | 16   | 2000        | Green (RoHS & no Sb/Br) | CU NIPDAU        | Level-1-260C-UNLIM           |
| SN65C3232PW      | ACTIVE                | TSSOP        | PW              | 16   | 90          | Green (RoHS & no Sb/Br) | CU NIPDAU        | Level-1-260C-UNLIM           |
| SN65C3232PWE4    | ACTIVE                | TSSOP        | PW              | 16   | 90          | Green (RoHS & no Sb/Br) | CU NIPDAU        | Level-1-260C-UNLIM           |
| SN65C3232PWG4    | ACTIVE                | TSSOP        | PW              | 16   | 90          | Green (RoHS & no Sb/Br) | CU NIPDAU        | Level-1-260C-UNLIM           |
| SN65C3232PWR     | ACTIVE                | TSSOP        | PW              | 16   | 2000        | Green (RoHS & no Sb/Br) | CU NIPDAU        | Level-1-260C-UNLIM           |
| SN65C3232PWRE4   | ACTIVE                | TSSOP        | PW              | 16   | 2000        | Green (RoHS & no Sb/Br) | CU NIPDAU        | Level-1-260C-UNLIM           |
| SN65C3232PWRG4   | ACTIVE                | TSSOP        | PW              | 16   | 2000        | Green (RoHS & no Sb/Br) | CU NIPDAU        | Level-1-260C-UNLIM           |
| SN75C3232D       | ACTIVE                | SOIC         | D               | 16   | 40          | Green (RoHS & no Sb/Br) | CU NIPDAU        | Level-1-260C-UNLIM           |
| SN75C3232DBR     | ACTIVE                | SSOP         | DB              | 16   | 2000        | Green (RoHS & no Sb/Br) | CU NIPDAU        | Level-1-260C-UNLIM           |
| SN75C3232DBRE4   | ACTIVE                | SSOP         | DB              | 16   | 2000        | Green (RoHS & no Sb/Br) | CU NIPDAU        | Level-1-260C-UNLIM           |
| SN75C3232DBRG4   | ACTIVE                | SSOP         | DB              | 16   | 2000        | Green (RoHS & no Sb/Br) | CU NIPDAU        | Level-1-260C-UNLIM           |



| Orderable Device | Status <sup>(1)</sup> | Package Type | Package Drawing | Pins | Package Qty | Eco Plan <sup>(2)</sup> | Lead/Ball Finish | MSL Peak Temp <sup>(3)</sup> |
|------------------|-----------------------|--------------|-----------------|------|-------------|-------------------------|------------------|------------------------------|
| SN75C3232DE4     | ACTIVE                | SOIC         | D               | 16   | 40          | Green (RoHS & no Sb/Br) | CU NIPDAU        | Level-1-260C-UNLIM           |
| SN75C3232DG4     | ACTIVE                | SOIC         | D               | 16   | 40          | Green (RoHS & no Sb/Br) | CU NIPDAU        | Level-1-260C-UNLIM           |
| SN75C3232DR      | ACTIVE                | SOIC         | D               | 16   | 2500        | Green (RoHS & no Sb/Br) | CU NIPDAU        | Level-1-260C-UNLIM           |
| SN75C3232DRE4    | ACTIVE                | SOIC         | D               | 16   | 2500        | Green (RoHS & no Sb/Br) | CU NIPDAU        | Level-1-260C-UNLIM           |
| SN75C3232DRG4    | ACTIVE                | SOIC         | D               | 16   | 2500        | Green (RoHS & no Sb/Br) | CU NIPDAU        | Level-1-260C-UNLIM           |
| SN75C3232DW      | ACTIVE                | SOIC         | DW              | 16   | 40          | Green (RoHS & no Sb/Br) | CU NIPDAU        | Level-1-260C-UNLIM           |
| SN75C3232DWE4    | ACTIVE                | SOIC         | DW              | 16   | 40          | Green (RoHS & no Sb/Br) | CU NIPDAU        | Level-1-260C-UNLIM           |
| SN75C3232DWG4    | ACTIVE                | SOIC         | DW              | 16   | 40          | Green (RoHS & no Sb/Br) | CU NIPDAU        | Level-1-260C-UNLIM           |
| SN75C3232DWR     | ACTIVE                | SOIC         | DW              | 16   | 2000        | Green (RoHS & no Sb/Br) | CU NIPDAU        | Level-1-260C-UNLIM           |
| SN75C3232DWRE4   | ACTIVE                | SOIC         | DW              | 16   | 2000        | Green (RoHS & no Sb/Br) | CU NIPDAU        | Level-1-260C-UNLIM           |
| SN75C3232DWRG4   | ACTIVE                | SOIC         | DW              | 16   | 2000        | Green (RoHS & no Sb/Br) | CU NIPDAU        | Level-1-260C-UNLIM           |
| SN75C3232PW      | ACTIVE                | TSSOP        | PW              | 16   | 90          | Green (RoHS & no Sb/Br) | CU NIPDAU        | Level-1-260C-UNLIM           |
| SN75C3232PWE4    | ACTIVE                | TSSOP        | PW              | 16   | 90          | Green (RoHS & no Sb/Br) | CU NIPDAU        | Level-1-260C-UNLIM           |
| SN75C3232PWG4    | ACTIVE                | TSSOP        | PW              | 16   | 90          | Green (RoHS & no Sb/Br) | CU NIPDAU        | Level-1-260C-UNLIM           |
| SN75C3232PWR     | ACTIVE                | TSSOP        | PW              | 16   | 2000        | Green (RoHS & no Sb/Br) | CU NIPDAU        | Level-1-260C-UNLIM           |
| SN75C3232PWRE4   | ACTIVE                | TSSOP        | PW              | 16   | 2000        | Green (RoHS & no Sb/Br) | CU NIPDAU        | Level-1-260C-UNLIM           |
| SN75C3232PWRG4   | ACTIVE                | TSSOP        | PW              | 16   | 2000        | Green (RoHS & no Sb/Br) | CU NIPDAU        | Level-1-260C-UNLIM           |

<sup>(1)</sup> The marketing status values are defined as follows:

**ACTIVE:** Product device recommended for new designs.

**LIFEBUY:** TI has announced that the device will be discontinued, and a lifetime-buy period is in effect.

**NRND:** Not recommended for new designs. Device is in production to support existing customers, but TI does not recommend using this part in a new design.

**PREVIEW:** Device has been announced but is not in production. Samples may or may not be available.

**OBSOLETE:** TI has discontinued the production of the device.

<sup>(2)</sup> Eco Plan - The planned eco-friendly classification: Pb-Free (RoHS), Pb-Free (RoHS Exempt), or Green (RoHS & no Sb/Br) - please check <http://www.ti.com/productcontent> for the latest availability information and additional product content details.

**TBD:** The Pb-Free/Green conversion plan has not been defined.

**Pb-Free (RoHS):** TI's terms "Lead-Free" or "Pb-Free" mean semiconductor products that are compatible with the current RoHS requirements for all 6 substances, including the requirement that lead not exceed 0.1% by weight in homogeneous materials. Where designed to be soldered at high temperatures, TI Pb-Free products are suitable for use in specified lead-free processes.

**Pb-Free (RoHS Exempt):** This component has a RoHS exemption for either 1) lead-based flip-chip solder bumps used between the die and package, or 2) lead-based die adhesive used between the die and leadframe. The component is otherwise considered Pb-Free (RoHS compatible) as defined above.

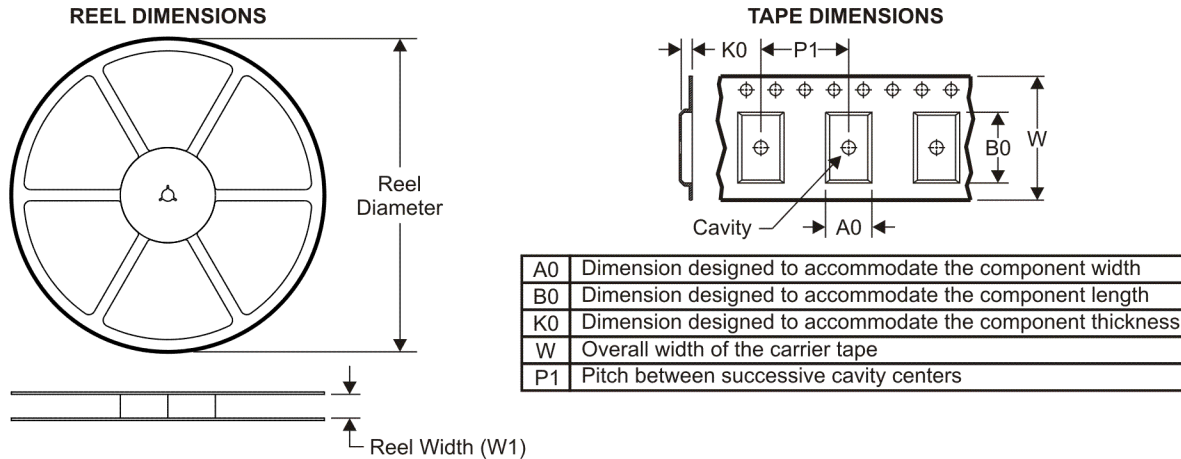
**Green (RoHS & no Sb/Br):** TI defines "Green" to mean Pb-Free (RoHS compatible), and free of Bromine (Br) and Antimony (Sb) based flame retardants (Br or Sb do not exceed 0.1% by weight in homogeneous material)

<sup>(3)</sup> MSL, Peak Temp. -- The Moisture Sensitivity Level rating according to the JEDEC industry standard classifications, and peak solder temperature.

**Important Information and Disclaimer:**The information provided on this page represents TI's knowledge and belief as of the date that it is provided. TI bases its knowledge and belief on information provided by third parties, and makes no representation or warranty as to the accuracy of such information. Efforts are underway to better integrate information from third parties. TI has taken and continues to take reasonable steps to provide representative and accurate information but may not have conducted destructive testing or chemical analysis on incoming materials and chemicals. TI and TI suppliers consider certain information to be proprietary, and thus CAS numbers and other limited information may not be available for release.

In no event shall TI's liability arising out of such information exceed the total purchase price of the TI part(s) at issue in this document sold by TI to Customer on an annual basis.

**TAPE AND REEL INFORMATION**



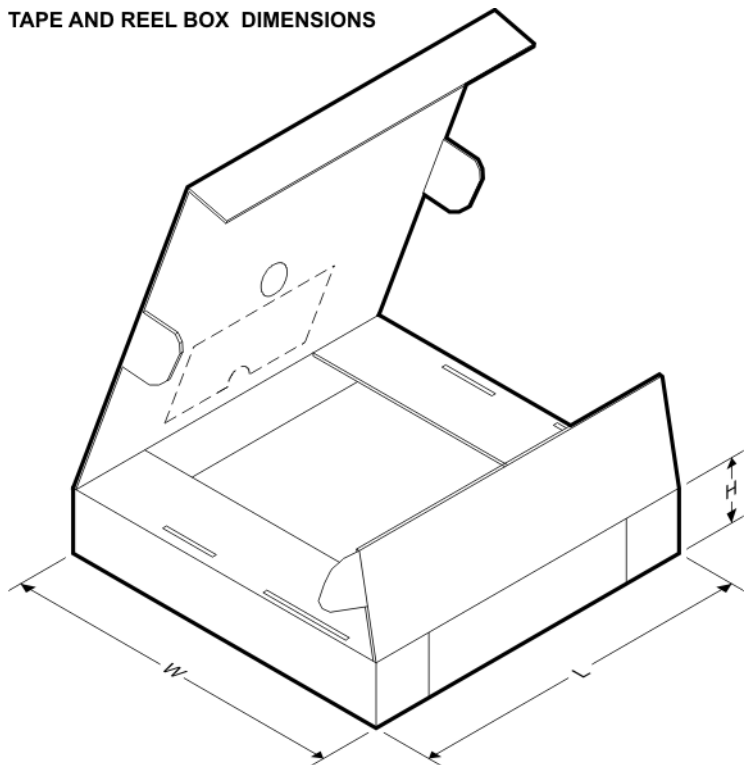
**QUADRANT ASSIGNMENTS FOR PIN 1 ORIENTATION IN TAPE**



\*All dimensions are nominal

| Device       | Package Type | Package Drawing | Pins | SPQ  | Reel Diameter (mm) | Reel Width W1 (mm) | A0 (mm) | B0 (mm) | K0 (mm) | P1 (mm) | W (mm) | Pin1 Quadrant |
|--------------|--------------|-----------------|------|------|--------------------|--------------------|---------|---------|---------|---------|--------|---------------|
| SN65C3232DBR | SSOP         | DB              | 16   | 2000 | 330.0              | 16.4               | 8.2     | 6.6     | 2.5     | 12.0    | 16.0   | Q1            |
| SN65C3232DR  | SOIC         | D               | 16   | 2500 | 330.0              | 16.4               | 6.5     | 10.3    | 2.1     | 8.0     | 16.0   | Q1            |
| SN65C3232DWR | SOIC         | DW              | 16   | 2000 | 330.0              | 16.4               | 10.75   | 10.7    | 2.7     | 12.0    | 16.0   | Q1            |
| SN65C3232PWR | TSSOP        | PW              | 16   | 2000 | 330.0              | 12.4               | 7.0     | 5.6     | 1.6     | 8.0     | 12.0   | Q1            |
| SN75C3232DBR | SSOP         | DB              | 16   | 2000 | 330.0              | 16.4               | 8.2     | 6.6     | 2.5     | 12.0    | 16.0   | Q1            |
| SN75C3232DR  | SOIC         | D               | 16   | 2500 | 330.0              | 16.4               | 6.5     | 10.3    | 2.1     | 8.0     | 16.0   | Q1            |
| SN75C3232DWR | SOIC         | DW              | 16   | 2000 | 330.0              | 16.4               | 10.75   | 10.7    | 2.7     | 12.0    | 16.0   | Q1            |
| SN75C3232PWR | TSSOP        | PW              | 16   | 2000 | 330.0              | 12.4               | 7.0     | 5.6     | 1.6     | 8.0     | 12.0   | Q1            |

**TAPE AND REEL BOX DIMENSIONS**



\*All dimensions are nominal

| Device       | Package Type | Package Drawing | Pins | SPQ  | Length (mm) | Width (mm) | Height (mm) |
|--------------|--------------|-----------------|------|------|-------------|------------|-------------|
| SN65C3232DBR | SSOP         | DB              | 16   | 2000 | 346.0       | 346.0      | 33.0        |
| SN65C3232DR  | SOIC         | D               | 16   | 2500 | 333.2       | 345.9      | 28.6        |
| SN65C3232DWR | SOIC         | DW              | 16   | 2000 | 346.0       | 346.0      | 33.0        |
| SN65C3232PWR | TSSOP        | PW              | 16   | 2000 | 346.0       | 346.0      | 29.0        |
| SN75C3232DBR | SSOP         | DB              | 16   | 2000 | 346.0       | 346.0      | 33.0        |
| SN75C3232DR  | SOIC         | D               | 16   | 2500 | 333.2       | 345.9      | 28.6        |
| SN75C3232DWR | SOIC         | DW              | 16   | 2000 | 346.0       | 346.0      | 33.0        |
| SN75C3232PWR | TSSOP        | PW              | 16   | 2000 | 346.0       | 346.0      | 29.0        |

DB (R-PDSO-G\*\*)

PLASTIC SMALL-OUTLINE

28 PINS SHOWN



- NOTES: A. All linear dimensions are in millimeters.  
 B. This drawing is subject to change without notice.  
 C. Body dimensions do not include mold flash or protrusion not to exceed 0,15.  
 D. Falls within JEDEC MO-150

PW (R-PDSO-G\*\*)

PLASTIC SMALL-OUTLINE PACKAGE

14 PINS SHOWN



4040064/F 01/97

- NOTES: A. All linear dimensions are in millimeters.  
 B. This drawing is subject to change without notice.  
 C. Body dimensions do not include mold flash or protrusion not to exceed 0,15.  
 D. Falls within JEDEC MO-153

D (R-PDSO-G16)

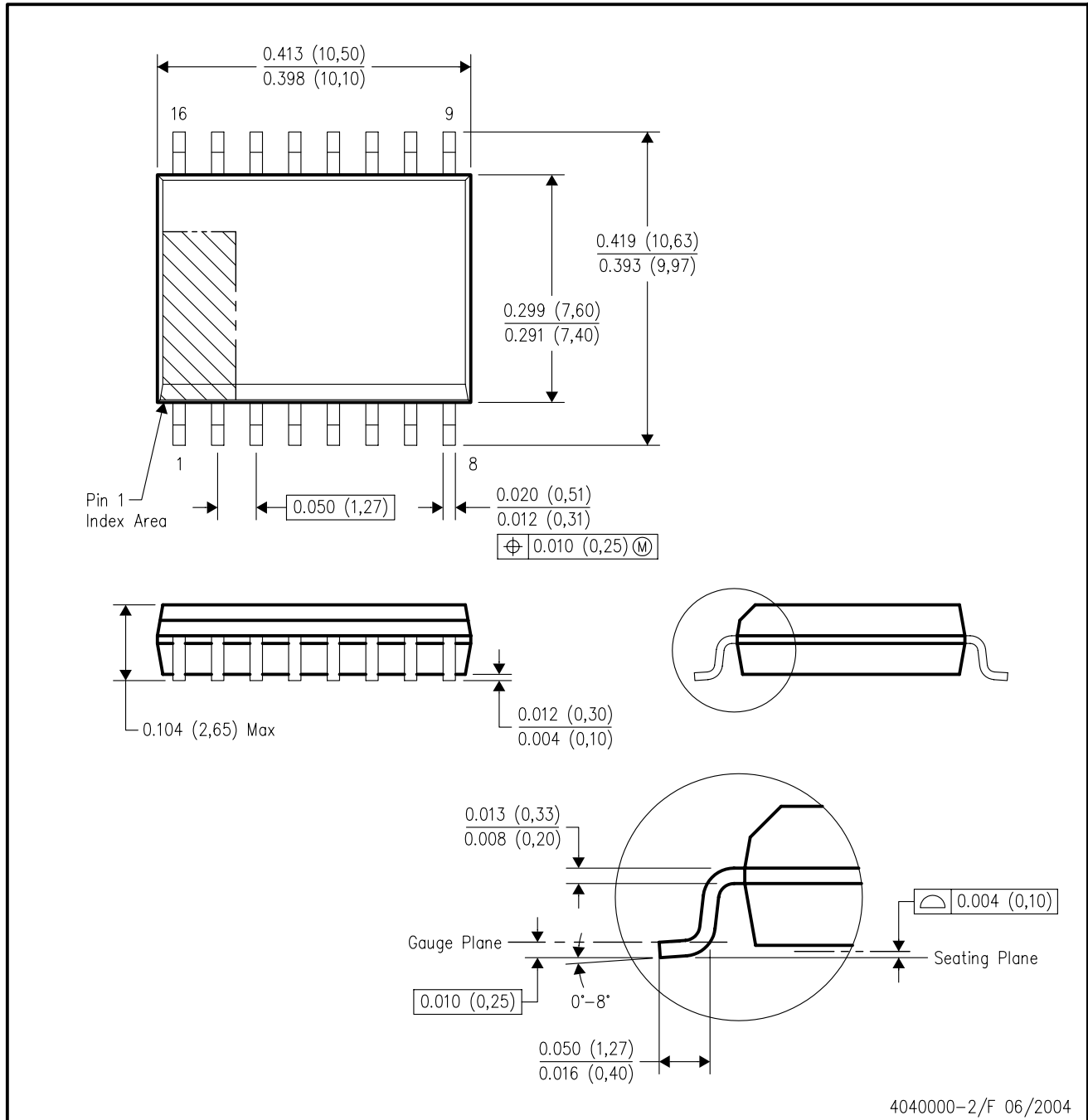
PLASTIC SMALL-OUTLINE PACKAGE



- NOTES:
- A. All linear dimensions are in inches (millimeters).
  - B. This drawing is subject to change without notice.
  - C. Body length does not include mold flash, protrusions, or gate burrs. Mold flash, protrusions, or gate burrs shall not exceed .006 (0,15) per end.
  - D. Body width does not include interlead flash. Interlead flash shall not exceed .017 (0,43) per side.
  - E. Reference JEDEC MS-012 variation AC.

DW (R-PDSO-G16)

PLASTIC SMALL-OUTLINE PACKAGE



- NOTES:
- A. All linear dimensions are in inches (millimeters).
  - B. This drawing is subject to change without notice.
  - C. Body dimensions do not include mold flash or protrusion not to exceed 0.006 (0,15).
  - D. Falls within JEDEC MS-013 variation AA.



## IMPORTANT NOTICE

Texas Instruments Incorporated and its subsidiaries (TI) reserve the right to make corrections, modifications, enhancements, improvements, and other changes to its products and services at any time and to discontinue any product or service without notice. Customers should obtain the latest relevant information before placing orders and should verify that such information is current and complete. All products are sold subject to TI's terms and conditions of sale supplied at the time of order acknowledgment.

TI warrants performance of its hardware products to the specifications applicable at the time of sale in accordance with TI's standard warranty. Testing and other quality control techniques are used to the extent TI deems necessary to support this warranty. Except where mandated by government requirements, testing of all parameters of each product is not necessarily performed.

TI assumes no liability for applications assistance or customer product design. Customers are responsible for their products and applications using TI components. To minimize the risks associated with customer products and applications, customers should provide adequate design and operating safeguards.

TI does not warrant or represent that any license, either express or implied, is granted under any TI patent right, copyright, mask work right, or other TI intellectual property right relating to any combination, machine, or process in which TI products or services are used. Information published by TI regarding third-party products or services does not constitute a license from TI to use such products or services or a warranty or endorsement thereof. Use of such information may require a license from a third party under the patents or other intellectual property of the third party, or a license from TI under the patents or other intellectual property of TI.

Reproduction of TI information in TI data books or data sheets is permissible only if reproduction is without alteration and is accompanied by all associated warranties, conditions, limitations, and notices. Reproduction of this information with alteration is an unfair and deceptive business practice. TI is not responsible or liable for such altered documentation. Information of third parties may be subject to additional restrictions.

Resale of TI products or services with statements different from or beyond the parameters stated by TI for that product or service voids all express and any implied warranties for the associated TI product or service and is an unfair and deceptive business practice. TI is not responsible or liable for any such statements.

TI products are not authorized for use in safety-critical applications (such as life support) where a failure of the TI product would reasonably be expected to cause severe personal injury or death, unless officers of the parties have executed an agreement specifically governing such use. Buyers represent that they have all necessary expertise in the safety and regulatory ramifications of their applications, and acknowledge and agree that they are solely responsible for all legal, regulatory and safety-related requirements concerning their products and any use of TI products in such safety-critical applications, notwithstanding any applications-related information or support that may be provided by TI. Further, Buyers must fully indemnify TI and its representatives against any damages arising out of the use of TI products in such safety-critical applications.

TI products are neither designed nor intended for use in military/aerospace applications or environments unless the TI products are specifically designated by TI as military-grade or "enhanced plastic." Only products designated by TI as military-grade meet military specifications. Buyers acknowledge and agree that any such use of TI products which TI has not designated as military-grade is solely at the Buyer's risk, and that they are solely responsible for compliance with all legal and regulatory requirements in connection with such use.

TI products are neither designed nor intended for use in automotive applications or environments unless the specific TI products are designated by TI as compliant with ISO/TS 16949 requirements. Buyers acknowledge and agree that, if they use any non-designated products in automotive applications, TI will not be responsible for any failure to meet such requirements.

Following are URLs where you can obtain information on other Texas Instruments products and application solutions:

### Products

|                             |  |
|-----------------------------|--|
| Amplifiers                  | <a href="http://amplifier.ti.com">amplifier.ti.com</a>             |
| Data Converters             | <a href="http://dataconverter.ti.com">dataconverter.ti.com</a>     |
| DSP                         | <a href="http://dsp.ti.com">dsp.ti.com</a>                         |
| Clocks and Timers           | <a href="http://www.ti.com/clocks">www.ti.com/clocks</a>           |
| Interface                   | <a href="http://interface.ti.com">interface.ti.com</a>             |
| Logic                       | <a href="http://logic.ti.com">logic.ti.com</a>                     |
| Power Mgmt                  | <a href="http://power.ti.com">power.ti.com</a>                     |
| Microcontrollers            | <a href="http://microcontroller.ti.com">microcontroller.ti.com</a> |
| RFID                        | <a href="http://www.ti-rfid.com">www.ti-rfid.com</a>               |
| RF/IF and ZigBee® Solutions | <a href="http://www.ti.com/lprf">www.ti.com/lprf</a>               |

### Applications

|                    |  |
|--------------------|--|
| Audio              | <a href="http://www.ti.com/audio">www.ti.com/audio</a>                   |
| Automotive         | <a href="http://www.ti.com/automotive">www.ti.com/automotive</a>         |
| Broadband          | <a href="http://www.ti.com/broadband">www.ti.com/broadband</a>           |
| Digital Control    | <a href="http://www.ti.com/digitalcontrol">www.ti.com/digitalcontrol</a> |
| Medical            | <a href="http://www.ti.com/medical">www.ti.com/medical</a>               |
| Military           | <a href="http://www.ti.com/military">www.ti.com/military</a>             |
| Optical Networking | <a href="http://www.ti.com/opticalnetwork">www.ti.com/opticalnetwork</a> |
| Security           | <a href="http://www.ti.com/security">www.ti.com/security</a>             |
| Telephony          | <a href="http://www.ti.com/telephony">www.ti.com/telephony</a>           |
| Video & Imaging    | <a href="http://www.ti.com/video">www.ti.com/video</a>                   |
| Wireless           | <a href="http://www.ti.com/wireless">www.ti.com/wireless</a>             |

Mailing Address: Texas Instruments, Post Office Box 655303, Dallas, Texas 75265  
Copyright © 2008, Texas Instruments Incorporated